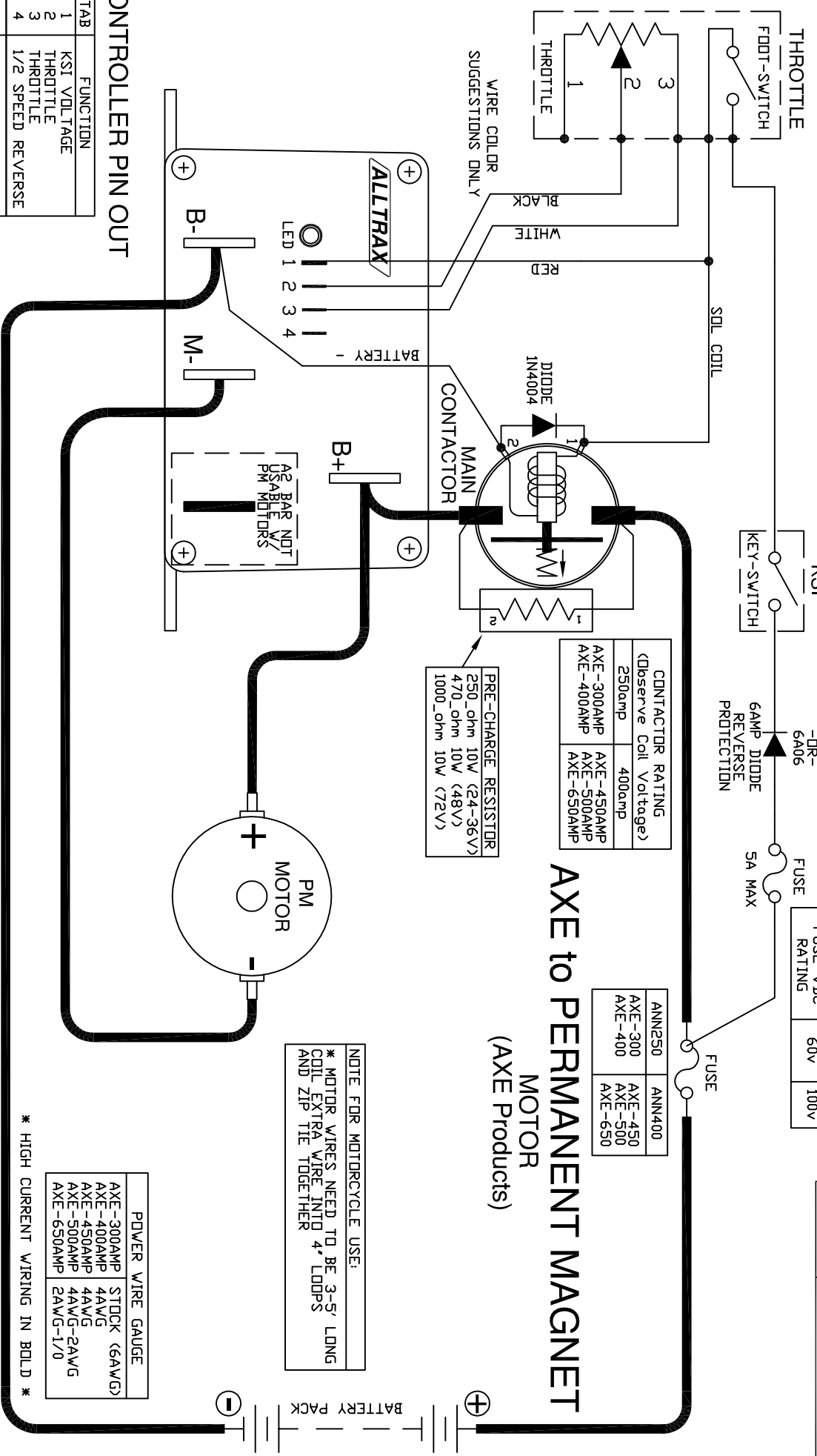


BATTERY VDC	12-48V	72V
FUSE VDC RATING	60V	100V

AXE TO PERMANENT MAGNET MOTOR (AXE Products)



CONTACTOR RATING (Observer Coil Voltage)	
250amp	400amp
AXE-300AMP	AXE-450AMP
AXE-400AMP	AXE-500AMP
	AXE-650AMP

PRE-CHARGE RESISTOR	
250_ohm 10W (24-36V)	
470_ohm 10W (48V)	
1000_ohm 10W (72V)	

ANN250	ANN400
AXE-300	AXE-450
AXE-400	AXE-500
	AXE-650

NOTE FOR MOTORCYCLE USE:
* MOTOR WIRES NEED TO BE 3-5' LONG
* COIL EXTRA WIRE INTO 4' LODPS
AND ZIP TIE TOGETHER

POWER WIRE GAUGE	
AXE-300AMP	STDCK (6AWG)
AXE-400AMP	4AWG
AXE-450AMP	4AWG
AXE-500AMP	4AWG-2AWG
AXE-650AMP	2AWG-1/0

* HIGH CURRENT WIRING IN BOLD *

TAB	FUNCTION
1	KSI VOLTAGE
2	THROTTLE
3	THROTTLE
4	1/2 SPEED REVERSE
B+	BATTERY POSITIVE
B-	BATTERY NEGATIVE
M-	MOTOR MINUS

CONTROLLER PIN OUT

NOTES:

- * FUSES REQUIRED FOR ALL INSTALLATIONS
- * DIODE REQUIRED ACROSS COILS / RELAYS
- * PRE-CHARGE RESISTOR REQUIRED
- > ASSUMES FOOTSWITCH IS OPEN WHEN THROTTLE OFF
- > ALLTRAX RESERVES THE RIGHT TO CHANGE DOCUMENTATION WITHOUT NOTICE
- > ALLTRAX MAKES NO WARRANTY AS TO THE ACCURACY, SUFFICIENCY, OR SUITABILITY OF ANY TECHNICAL OR OTHER INFORMATION PROVIDED
- > SEE OPERATORS MANUAL FOR MORE INFORMATION

REVISIONS		DWG SCALE: NTS		PROPRIETARY	
REV.	ECO.	DATE	APVD	DRAWN	T.Thorne
A	102208	123008	RC	ENGR	D.Crockett
THIS TECHNICAL DATA IS PROPRIETARY AND SHALL NOT BE REPRODUCED, RELEASED, OR DISCLOSED IN WHOLE OR IN PART WITHOUT THE WRITTEN PERMISSION OF ALLTRAX INC.					
TITLE			DO NOT SCALE DRAWING		
AXE-Permanent Magnet w/o Reverse Wiring Diagram			1111 Cheney Creek Rd. Grants Pass, OR 97527 PHONE:(541) 476-3565		
SIZE DOCUMENT NO.		Doc100-081		REV. A	
FILE:DWG-AE-Permitting-No-Rev-wire-dia.dwg SHEET 1 of 1					